

The Hobby - table

- ▶ **Cutting Table**
- ▶ **Quilting Table**
- ▶ **Smocking Table**
- ▶ **Hobby table**
- ▶ **Storage for both your machine and overlocker**
- ▶ **There are storage cupboards both sides**

- ▶ 87cm (34 1/2 ins) height is ideal for working while standing up. No bending, kneeling or stooping!
- ▶ Extra Stable construction; easy-rolling castors are attached to a specially designed reinforced frame, much more stable than a folding or dining room table.
- ▶ Rounded corners keep your projects safe from snags and from children catching themselves accidentally.
- ▶ Handy storage cupboards located on both sides.
- ▶ Storage shelves are adjustable or removable.
- ▶ Entire unit quickly folds down and easily rolls away when not in use.
- ▶ Comes fully assembled. Table is beautifully finished front and back, inside and out.



Slim & Mobile when closed

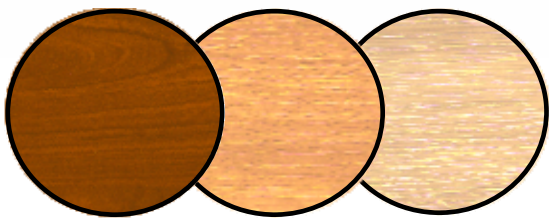


Easily mobile on castors

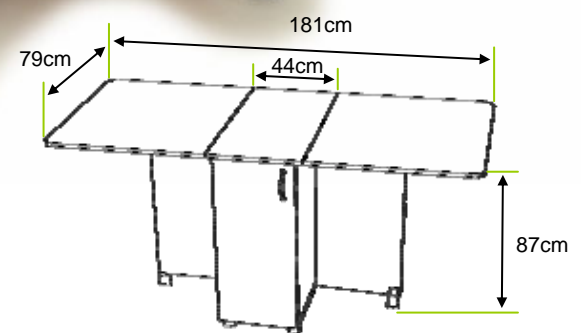


The correct height to stand and work at

Colour Chart



Teak, Beech, Light Oak



CLOSED - WIDE 79cm (31") DEEP 44cm (17 1/2") HIGH 87cm (34 3/4")